

DESIGN CRITERIA
 SALT-SAND LOAD 100 P.C.F. FLUID EQUIVALENT,
 5.5' MAX. DEPTH FOR 1500 P. POST & T&G PLANKING

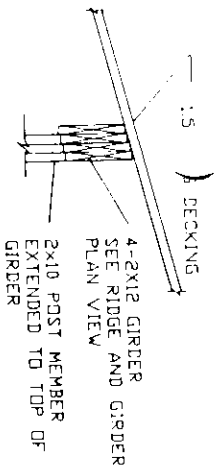
ROOF LOADS, GIRDERS & DECKING
 FOR 52 P.S.F. USE 1850 P. LUMBER
 FOR 42 P.S.F. USE 1500 P. LUMBER
 FOR 25 P.S.F. USE 875 P. LUMBER
 WIND LOAD 15 P.S.F. OR 76.5 MPH

**NAILING PATTERN, TWO ROWS 1\"/>
 4-2X12 BEAM- 5\"/>
 4-2X10 POST- 5\"/>
 2-2X6 + 2X10 POST- 4\"/>
 12\"/>
 12\"/>**

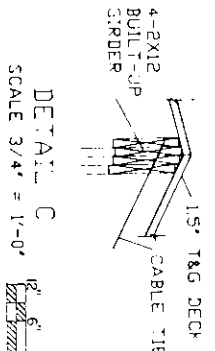
NOTES:
 MAX. CAPACITY PER BAY = 142 CU YDS. (190 TONS)

CAUTION: ENTIRE SITE SHOULD BE PAVED AND SURFACE RUNOFF COLLECTED AND DISPOSED OF PROPERLY TO PROTECT GROUND WATER.

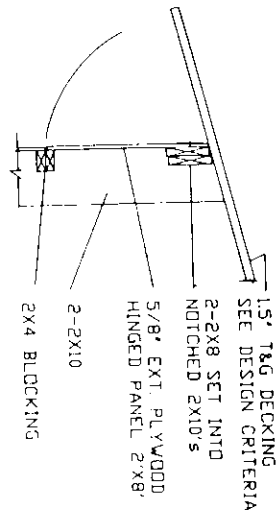
COOPERATIVE EXTENSION SERVICE			
AGRICULTURE AND HOME ECONOMICS			
UNITED STATES DEPARTMENT OF AGRICULTURE COOPERATING			
SALT-SAND STORAGE SHED			
NY '86	6382	SHEET 1 OF 2	



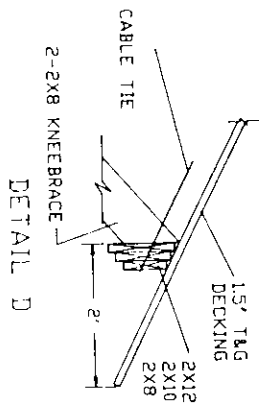
DETAIL B
SCALE 3/4" = 1'-0"



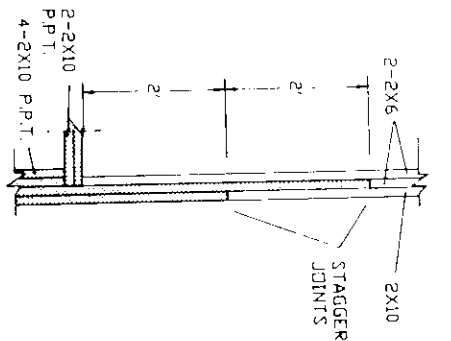
DETAIL C
SCALE 3/4" = 1'-0"



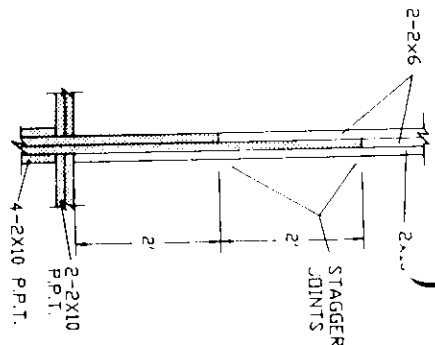
DETAIL A



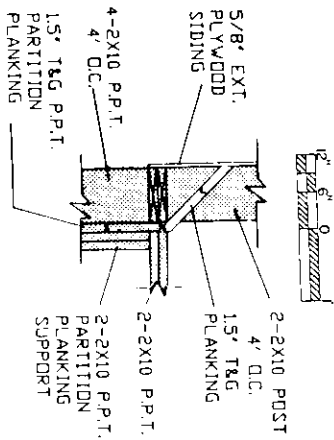
DETAIL D



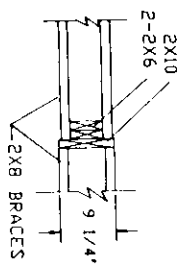
DETAIL E



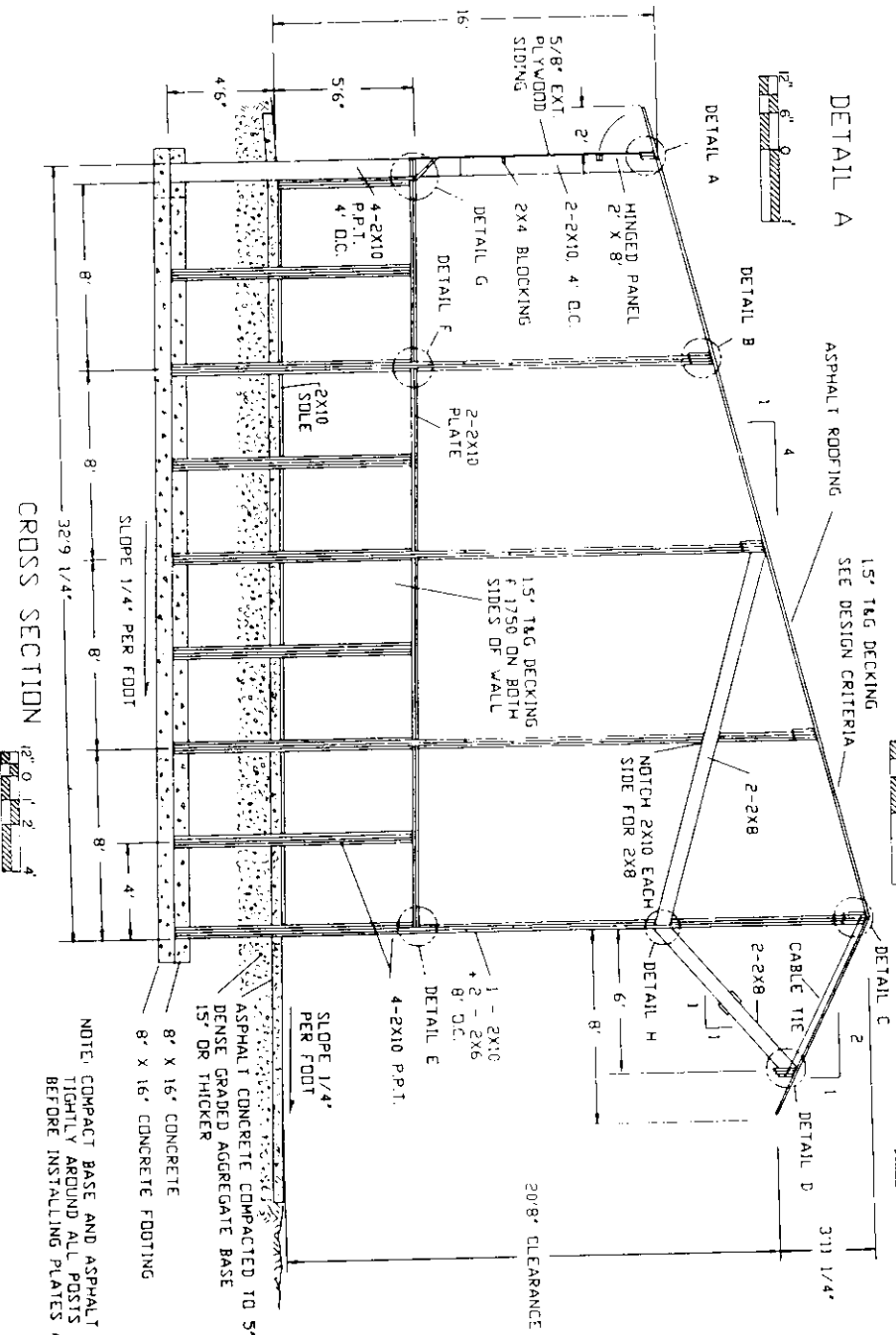
DETAIL F



DETAIL G



DETAIL H



CROSS SECTION

NOTE: COMPACT BASE AND ASPHALT CONCRETE TIGHTLY AROUND ALL POSTS BEFORE INSTALLING PLATES AND SOLE

UNITED STATES DEPARTMENT OF AGRICULTURE COOPERATING AND

COOPERATIVE EXTENSION SERVICE
AGRICULTURE AND HOME ECONOMICS

SALT-SAND STORAGE SHED

NY 86 6382 SHEET 2 OF 2